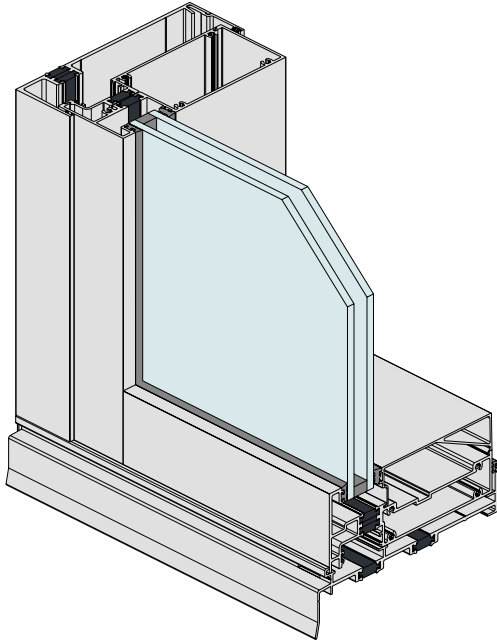
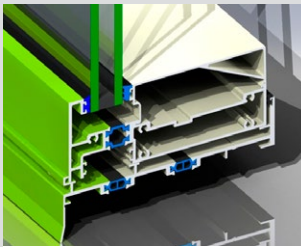


THERMALLY BROKEN 150mm FrontGLAZE™ FRAMING

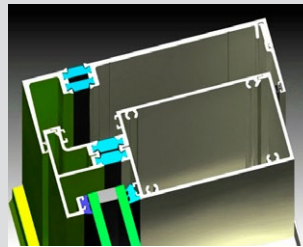


KEY FEATURES

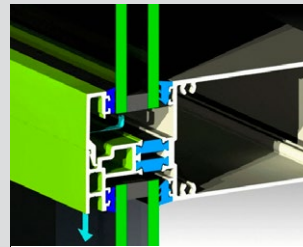
- Incorporating ThermalHEART® technology, Series 826 delivers excellent thermal performance and is ideal for tall commercial frames.
- The 28mm deep glazing pocket caters for glass installation and 12mm bite as required by IGU manufacturers.
- Available as internally glazed or externally glazed.
- True captive glazing wedge allows reglazing from inside – ideal in elevated applications. The captive wedge also offers increased security.
- Glazing wedges are recessed into the framing for a clean aesthetic appearance.
- Wide range of thermally broken sub-frames to cover, including sub-sills with integrated nailing fin ideal for residential installations.
- Internal and external swing hinged door thresholds.
- 50mm thick doors designed to accept wide backset locks.



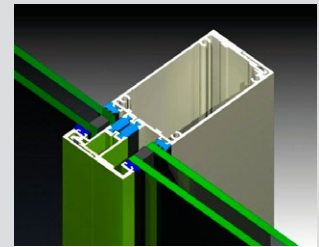
Sub-sill designed to support heavy double glazed frames and maintain the thermal break – dual colour option. We offer FrontGLAZE™ in both internal or external glazing.



Sub-jamb available to make installation easier. The sub-jamb has pressure bead on the inner face.



Designed to accept 24mm IGUs. Glazing pocket offers the required 12mm glass bite on Insulating IGUs. A variety of pocket closer extrusions are available should thinner glass be required.



We offer both snap-together and expansion mullions. We recommend expansion mullions on long runs of framing (over 6m).

GENERAL

Max Panel Height
Various

Max Panel Width
Various

Max Glass Thickness
28mm

Frame Depth
150mm

ENERGY

UW Range
1.7-3.2

SHGC Range
0.17-0.64

WEATHER

Maximum Water
600 Pa.

ACOUSTICS

This product has not been acoustics tested. AWS anticipates this product's acoustic performance will be in-line with Series 804.



BAL-40 compliance may limit glass options. Maximum glass size for BAL-40 products is 4.5m2.

elevatealuminium.com.au/826