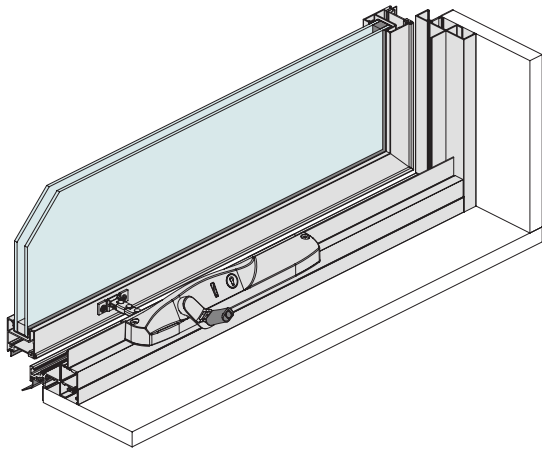
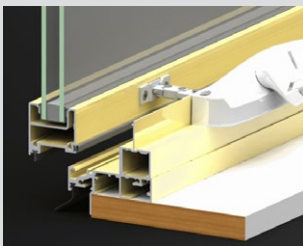


RESIDENTIAL SERIES HP | SERIES 756
75mm AWNING WINDOW

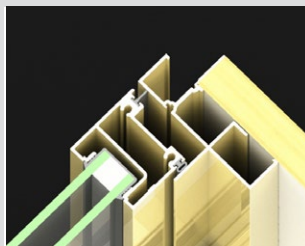


KEY FEATURES

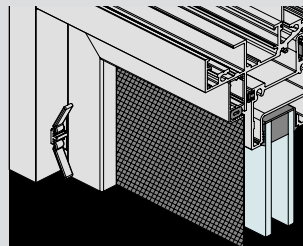
- 75mm aluminium awning window designed for excellent weather and improved thermal performance.
- Accepts 18-20mm IGUs for excellent thermal performance.
- Beaded sash option is available to accept a variety of glass thicknesses from 4mm single pane to 25mm IGU's.
- Extra strong sashes allow large sash windows to be fabricated for high wind load areas.
- Excellent weather performance rating of 600pa ensures Series 756 is suitable for use in most exposed locations throughout Australia.
- Awning sashes can be fitted with chain winders and performance latches if required.
- Flyscreens can be fitted without the need for additional trims delivering a refined finish.
- The frame can be fabricated either square cut or mitre for a more architectural appearance.
- Tested for compliance with Australian Standard AS2047



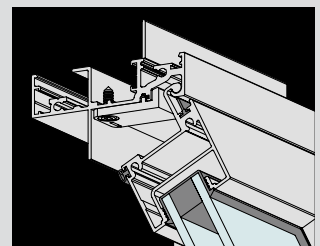
Heavy duty chain winders are fitted to reinforced sections for long term durability.



75mm frames allow wrap around sashes to accept 18-20mm IGUs for excellent thermal performance.



Fly screens can be easily fitted with custom nylon clips located on the jambs/mullions.



Continuous hinge hood on sashes protects the top of the sash from water intrusion.

GENERAL

Max Frame Height*
Various

Max Panel Width*
Various

Max Glass Thickness
20mm

Frame Depth
75mm

ENERGY
UW Range
1.6-6.6

SHGC Range
0.21-0.74

WEATHER

Maximum Water
400 Pa.

ACOUSTICS

This product has not been acoustics tested.



*Dimensions subject to individual site conditions.