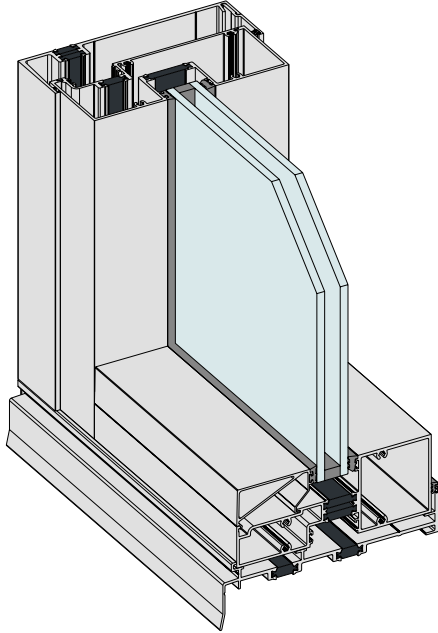
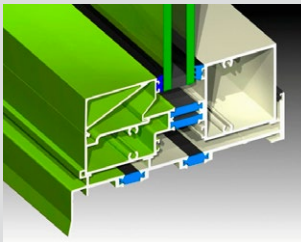


# THERMALLY BROKEN 150mm CentreGLAZE™ FRAMING

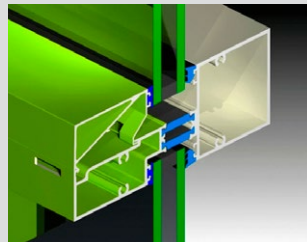


## KEY FEATURES

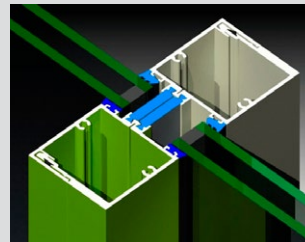
- Incorporating ThermalHEART® technology, Series 806 delivers excellent thermal performance and is ideal for tall commercial frames.
- The 28mm deep glazing pocket caters for glass installation and 12mm bite as required by IGU manufacturers.
- Reinforced tall glazing bead at sill tolerates high negative wind loads.
- True captive glazing wedge on the outside reduces the chance of vandalism.
- External wet top silicone glazing also available.
- Glazing wedges are recessed into the framing for a clean aesthetic appearance.
- Wide range of thermally broken sub-frames to cover most installations, including sub-sills with integrated nailing fin ideal for residential installations.
- Internal and external swing hinged door thresholds are also thermally broken.
- 50mm thick doors designed to accept wide backset locks.



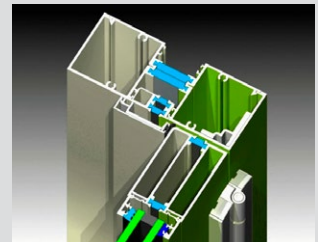
Sub-sill designed to support heavy double glazed frames and maintain the thermal break – dual colour option. One of the main features with this sub-sill is the central support directly under the glass.



Designed to accept 24mm IGUs. Glazing pocket offers 12mm glass bite on Insulating Glass Units (IGUs). A variety of pocket closer extrusions are available should monolithic glass be required.



We offer both snap-together and expansion mullions. We recommend expansion mullions on long runs of framing (over 6m).



Will accept hinged, pivot or sliding doors. Doors are 50mm thick. Heavy duty adjustable hinges with extruded aluminium backing plates designed to support heavy door panels. The wide stiles allow us to fit wide backset locks.

## GENERAL

**Max Panel Height**  
Various

**Max Panel Width**  
Various

**Max Glass Thickness**  
28mm

**Frame Depth**  
150mm

## ENERGY

**UW Range**  
1.4-3.1

**SHGC Range**  
0.17-0.66

## WEATHER

**Maximum Water**  
600 Pa.

## ACOUSTICS

This product has not been acoustics tested. AWS anticipates this product's acoustic performance will be in-line with Series 804.



BAL-40 compliance may limit glass options. Maximum glass size for BAL-40 products is 4.5m<sup>2</sup>.

[elevatealuminium.com.au/806](http://elevatealuminium.com.au/806)