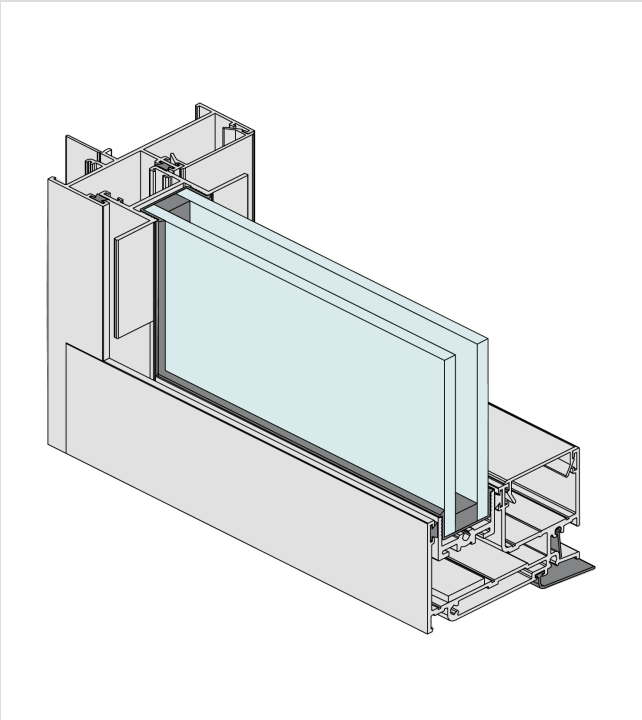


RESIDENTIAL SERIES HIGH PERFORMANCE | SERIES 758
SLIDING DOOR

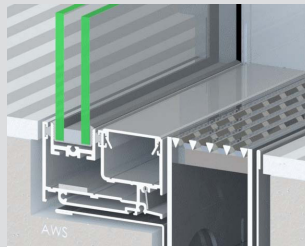


KEY FEATURES

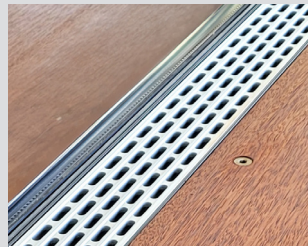
- Series 758 High Performance Sliding Door is a residential door system designed to maximise sightlines by reducing the exposed aluminium frame.
- Option to have the rails and stiles concealed within the perimeter frame, providing a panoramic feel.
- Available as both single and double glazed systems, the 758 will accept 22mm and 24mm IGUs with a maximum panel weight of 320kg and single glazed panels 5mm to 10mm.
- Large sliding doors can be designed for high wind load areas and are available in extensive configurations with large spans.
- Designed exclusively to accept Vantage® Security Screens and BRIO pleated screens.
- Compatible with Centor S2 and S4 Screens.
- Sub head Sub Sill compatible.



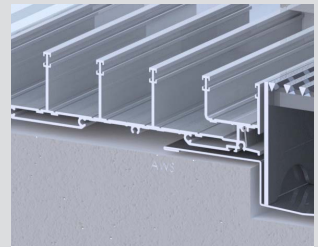
Custom lock that is fitted to the interlock stile, provides a modern sleek and practical locking solution. This means no large intrusive lock impeding on your visual outlook



A custom stainless steel, flat running track combined with custom stainless steel rollers with leading track brush to ensure track delivers optimal, long term operating performance.



Compatible with FlowTHRU Pro™ integrated aluminium drain system. Which are thoroughly tested for use with select Vantage® ComfortEDGE™1 and High Performance doors.



Up to 5 track sill configurations are available to suit extra wide openings up to 19m wide.

GENERAL
Max Frame Height*
3000mm
Max Panel Width*
2000mm
Max Glass Thickness
24mm
Frame Depth
84mm - 208mm
Panel weights of
up to 320kg

ENERGY
UW Range
1.8-6.1
SHGC Range
0.21-0.72

WEATHER
Maximum Water
400 Pa.
Up to 600Pa with sub sill
Up to 550 Pa with an
integrated drain

ACOUSTICS
6.38mm Lam
32 (0; -2)
6.5mm Lam
33 (1;-2)



*Dimensions subject to individual site conditions.