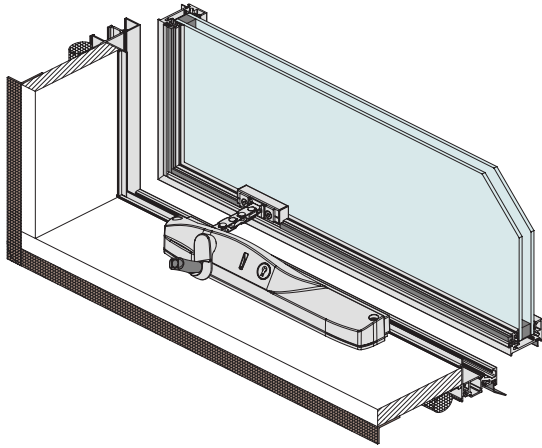
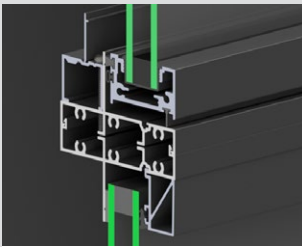


COMFORTEDGE™ | SERIES 755
COMFORTEDGE™ AWNING WINDOW

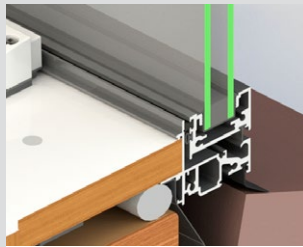


KEY FEATURES

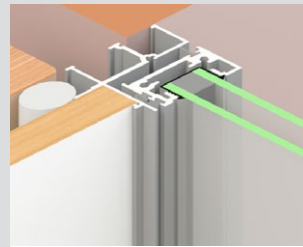
- A patented double glazed window system designed for optimal thermal performance.
- ComfortEDGE™ reveal delivers a minimalist design aesthetic and optimised vision plane through the window.
- Thermal performance is achieved by reducing the exposed internal boundary and the ability to transfer energy through the aluminium frame.
- Patented chain winder adaptor brackets allow the body of the sash to remain concealed below the reveal and maintain the same sightlines as fixed lights.
- Accepts 18-20mm IGUs for excellent thermal performance.
- Excellent strength and weather performance achieving a water resistance rating of 600pa.
- Flyscreens can be fitted without the need for additional trims delivering a refined finish.
- The frame can be fabricated either square cut or miter for a more architectural appearance.
- Energy tested at an approved NFRC test chamber in USA



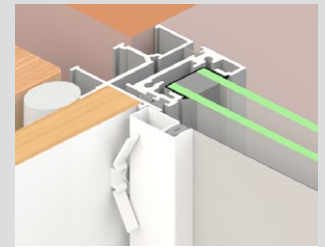
Accepts 18-20mm IGUs for optimal energy performance.



Integrating the frame with the timber reveal insulates against heat/cold transfer and delivers a minimalist design aesthetic with optimal viewing plane to the outdoors.



Thermal performance is achieved by reducing the exposed internal boundary and the ability to transfer energy through the aluminium frame.



Fly-screen clips hold fly-screens neatly against the frame and allow for easy installation and removal

GENERAL

Max Panel Height*
Various

Max Panel Width*
Various

Max Glass Thickness
20mm

Frame Depth
75mm

ENERGY
UW Range
1.6-5.7
SHGC Range
0.21-0.72

WEATHER

Maximum Water
600 Pa.

ACOUSTICS

This product has not been acoustics tested.



*Dimensions subject to individual site conditions.